

# M320x Series

9x14 mm, 3.3/2.5/1.8 Volt, PECL/LVDS/CML, VCXO



- Featuring *QiK Chip™* Technology
- Superior Jitter Performance (comparable to SAW based)
- APR of  $\pm 50$  or  $\pm 100$ ppm over industrial temperature range
- Frequencies from 150 MHz to 1.4 GHz
- Designed for a short 2 week cycle time

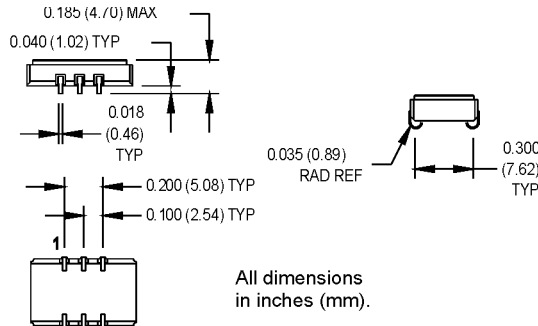
### Phase Lock Loop Applications:

- Telecommunications such as SONET / SDH / DWDM / FEC / SERDES / OC-3 thru OC-192
- Wireless base stations / WLAN / Gigabit Ethernet
- Avionic flight controls and military communications

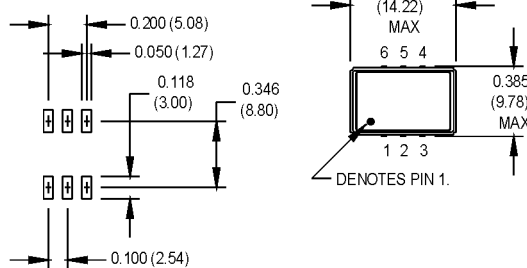
### Ordering Information

	M320	0	6	A	G	P	J	00.0000	MHz
Product Series									
Supply Voltage									
0: 3.3 V									
1: 2.5 V									
2: 1.8 V									
Temperature Range									
2: -40°C to +85°C (see note 1)									
6: -20°C to +70°C									
Absolute Pull Range (APR)									
A: $\pm 50$ ppm									
B: $\pm 100$ ppm									
Enable/Disable									
G: Complementary Enable High (Pad 2)									
M: Complementary Enable Low (Pad 2)									
U: Complementary Output									
Logic Type									
P: PECL									
L: LVDS									
M: CML									
Package/Lead Configuration									
J: 9x14 mm J-lead									
Frequency (customer specified)									

- Pin1: Voltage Control
- Pin2: Enable/Disable (or N/C)
- Pin3: Ground
- Pin4: Output Q (PECL, LVDS, CML)
- Pin5: Output  $\bar{Q}$  (PECL, LVDS, CML)
- Pin6: Vcc



### SUGGESTED SOLDER PAD LAYOUT



# M320x Series

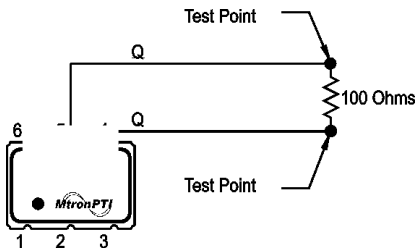
9x14 mm, 3.3/2.5/1.8 Volt, PECL/LVDS/CML, VCXO



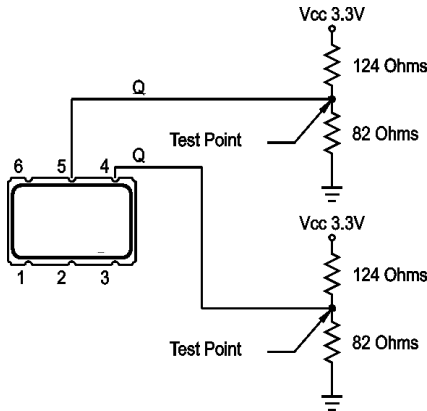
PARAMETER	Symbol	Min.	Typ.	Max.	Units	Condition/Notes	
Frequency Range	F	150		1400	MHz	See Note 2	
Operating Temperature	T <sub>A</sub>	(See ordering information)					See Note 1
Storage Temperature	T <sub>S</sub>	-55		+125	°C		
Frequency Stability	ΔF/F		±25		ppm		
Aging							
1st Year		-3		+3	ppm		
Thereafter (per year)		-1		+1	ppm		
Pullability/APR		(See ordering information)					See Note 3
Control Voltage	V <sub>c</sub>	0.18	0.90	1.62	V	@ 1.8V V <sub>cc</sub>	
		0.25	1.25	2.25	V	@ 2.5V V <sub>cc</sub>	
		0.30	1.65	3.0	V	@ 3.3V V <sub>cc</sub>	
Linearity			1	5	%	Positive Monotonic	
Modulation Bandwidth	f <sub>m</sub>	20			KHz	-3 dB bandwidth	
Input Impedance	Z <sub>in</sub>	500k	1M		Ohms	@ DC	
Supply Voltage	V <sub>cc</sub>	1.71	1.8	1.89	V		
		2.375	2.5	2.625	V		
		3.135	3.3	3.465	V		
Input Current	I <sub>cc</sub>			125	mA	PECL/LVDS/CML	
Load		50 Ohms to (V <sub>cc</sub> - 2) V <sub>dc</sub> 100 Ohm differential load					See Note 4 PECL Waveform LVDS/CML Waveform
Symmetry (Duty Cycle)		45		55	%	@ 50% of waveform	
Output Skew			TBD				
Differential Voltage		350	425 TBD	500	mVppd	LVDS CML	
Common Mode Output Voltage	V <sub>cm</sub>		1.2		V	LVDS	
Logic "1" Level	V <sub>oh</sub>	V <sub>cc</sub> - 1.02			V	LVPECL	
Logic "0" Level	V <sub>ol</sub>			V <sub>cc</sub> - 1.63	V	LVPECL	
Rise/Fall Time	T <sub>r</sub> /T <sub>f</sub>		0.23	0.50	ns	@ 20/80% LVPECL	
Enable Function		80% V <sub>cc</sub> min. or N/C: output active 20% V <sub>cc</sub> max: output disables to high-Z					Output Option G
		20% V <sub>cc</sub> max: output active 80% V <sub>cc</sub> min: output disables to high-Z					Output Option M
Start up Time			10		ms		
Phase Jitter @ 622.08 MHz	φ <sub>J</sub>		0.50		ps RMS	Integrated 12 kHz – 20 MHz	

Electrical Specifications

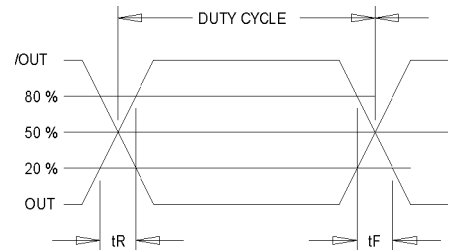
- Note 1: If the device is powered up below -20°C and then the ambient temperature rises 105°C during normal operation, the output will be interrupted for approximately 2-3 ms. A correction is in process and will be available Q1 2007
- Note 2: Contact factory for exact frequency availability over 945 MHz.
- Note 3: APR specification is inclusive of initial tolerance, deviation over temperature, shock, vibration, supply voltage, and aging for one year at 50°C mean ambient temperature.
- Note 4: See Load Circuit Diagram in this Datasheet. Consult factory with nonstandard output load requirements.



LVDS Load Circuit



3.3V LVPECL Load Circuit



Output Waveform: LVDS/CML/PECL

MtronPTI reserves the right to make changes to the product(s) and service(s) described herein without notice. No liability is assumed as a result of their use or application.

Please see [www.mtronpti.com](http://www.mtronpti.com) for our complete offering and detailed datasheets. Contact us for your application specific requirements: MtronPTI 1-800-762-8800.